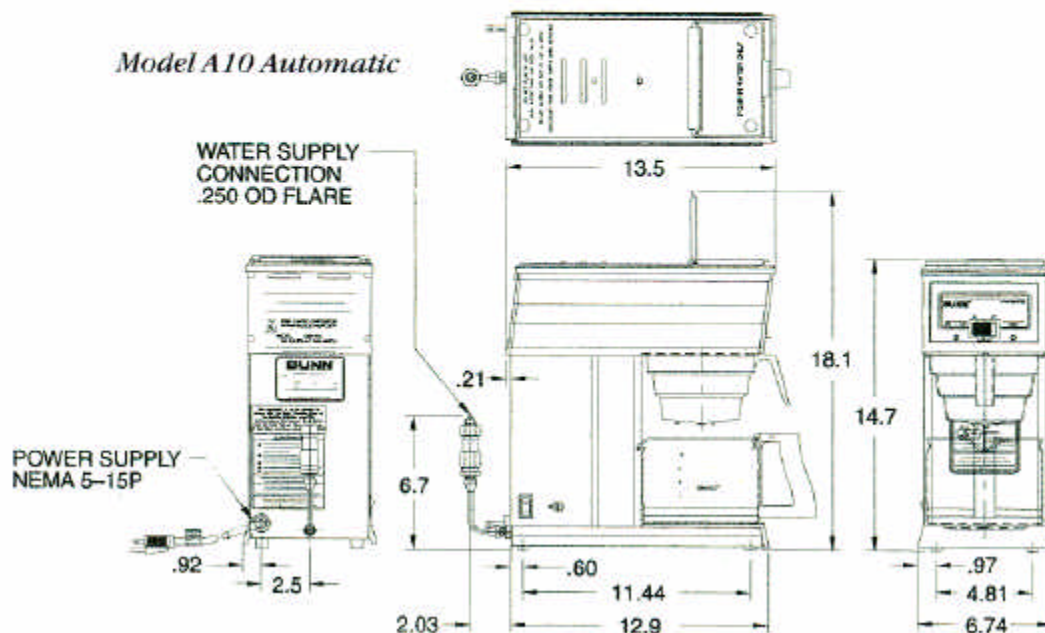
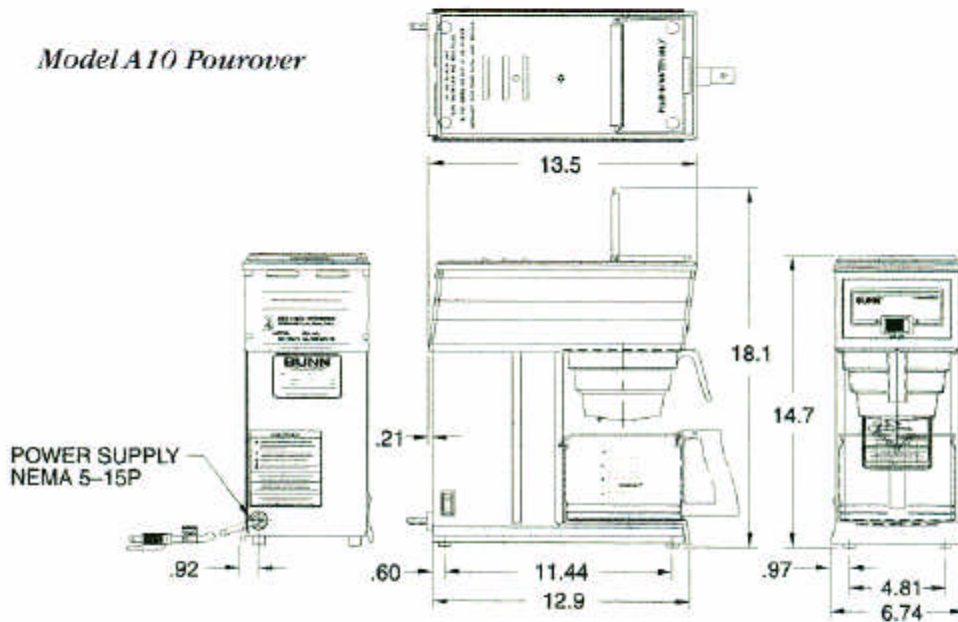


Dimensions & Specifications

Model	Product #	Volts	Amps	Tank Heater Watts	Total Watts	Brewing Capacity	Cu. Ft.	Shipping Weight	Cord Attached
A10	21250.0000	120	9.5	1000	1140	2.7 gal./hr.	1.5	14 lbs. (6.4 kg)	Yes
A10A	21250.0004	120	9.5	1000	1140	2.7 gal./hr.	1.6	16 lbs. (7.3 kg)	Yes

Electrical: Model requires 2-wires plus ground service rated 120V, single phase, 60 Hz.

Plumbing: 20-90 psi (138-621 kPa). Supplied with 1/4" male flare fitting. (Automatic unit only)



All dimensions shown in inches. Bunn-O-Matic Corporation owns all copyrights relative to materials in this publication. Please contact Bunn-O-Matic to request permission to reproduce any portion of this document.